

# 2 PIECES BALL VALVE PN63

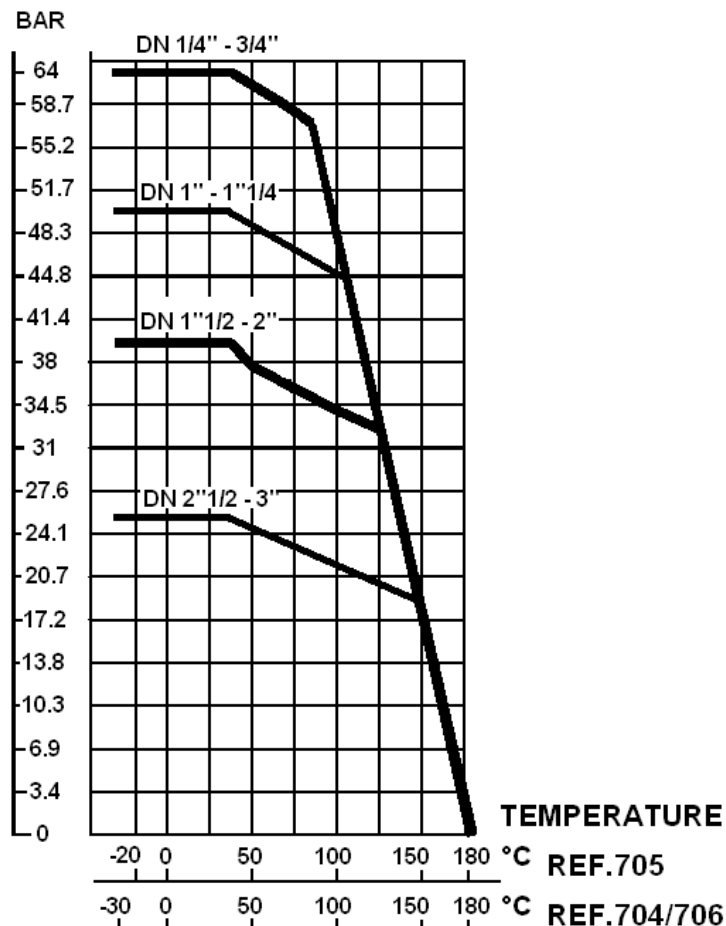


- Size :** DN 1/4" to 3"
- Ends :** Threaded BSP or NPT
- Min Temperature :** -30°C in SS and -20°C in carbon steel
- Max Temperature :** + 180°C
- Max Pressure :** 63 Bars
- Specifications :** Anti blow-out stem  
Locking device  
Full bore

**Materials :** Carbon steel or Stainless steel

PRESSURE / TEMPERATURE GRAPH ( STEAM EXCLUDED ) :

**PRESSURE**



**SPECIFICATIONS :**

- Full bore
- Anti blow-out stem
- PTFE packing
- Locking device
- Solid ball
- 2 pieces type

**USE :**

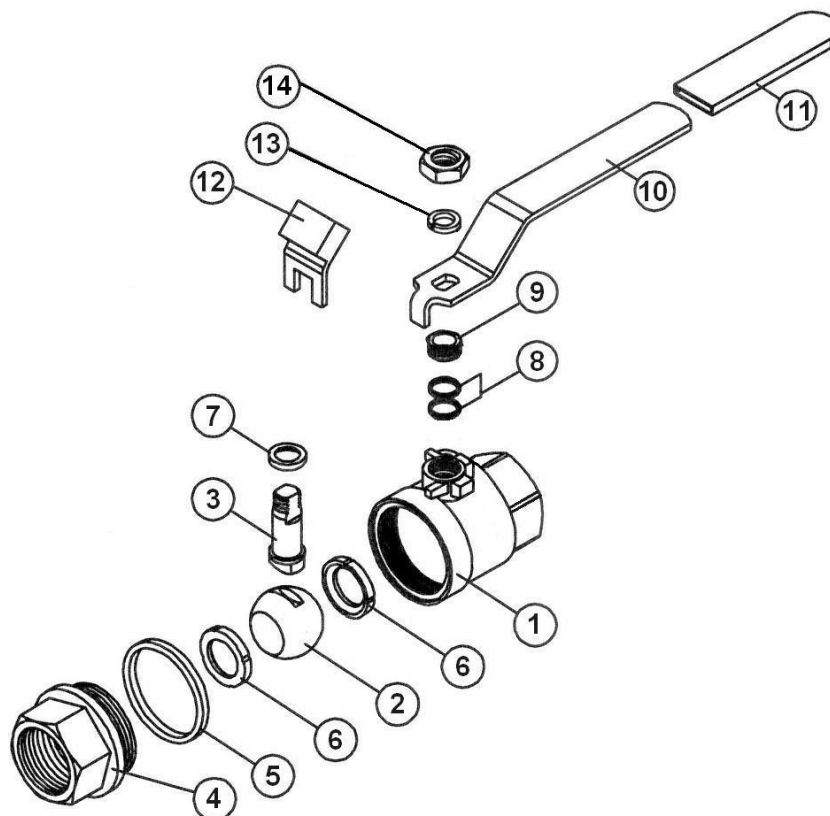
- For all common fluids
- Min and max Temperature Ts : -20°C to + 180°C for carbon steel type **Ref. 705**
- Min and max Temperature Ts : -30°C à + 180°C for stainless steel types **Ref. 704-706**
- Max Pressure PN : 63 bars up to DN3/4", 50 bars from DN 1" to 1"1/4, 40 bars from DN 1"1/2 to 2" , 25 bars from DN 2"1/2 to 3" ( see graph )

**RANGE :**

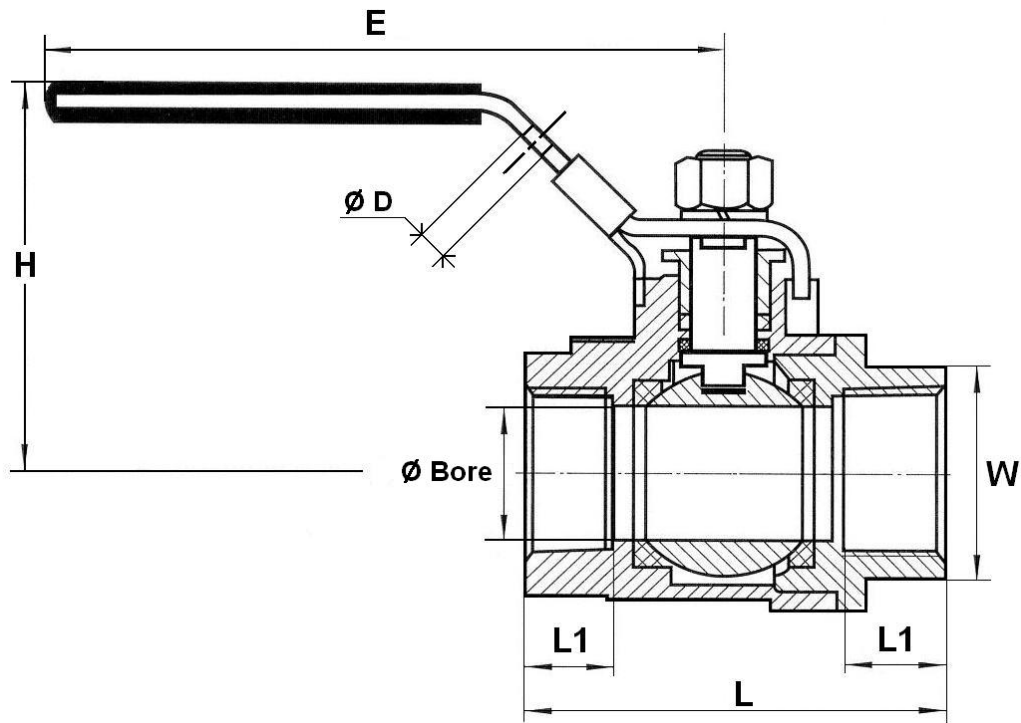
- Carbon steel with red handle **Ref. 705** DN 1/4" to DN 3"
- Stainless steel with red butterfly handle **Ref. 7061** DN 1/4" to DN 1"

**ENDS :**

- Female / female threaded BSP cylindric **Ref. 705**

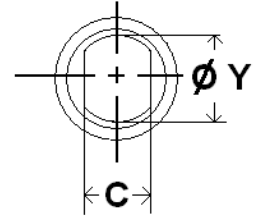
**MATERIALS :**

Item	Designation	Materials 704/706	Materials 705
1	Body	ASTM A351 CF8M	ASTM A216 WCB
2	Ball	ASTM A351 CF8M	
3	Stem	SS 316	SS 304
4	Bonnet	ASTM A351 CF8M	ASTM A216 WCB
5	Body seal	PTFE	
6	Seat	PTFE filled with 15% glass	
7	Stem gasket	PTFE	
8	Packing	PTFE	
9	Packing nut	SS 304	
10	Handle	SS 304	
11	Handle cover	Plastic	
12	Locking device	SS 304	
13	Washer	SS 304	
14	Handle nut	SS 304	



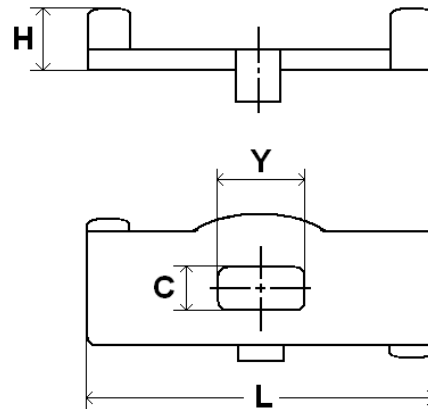
**SIZE ( in mm ) :**

**Stem size :**



	DN	1/4"	3/8"	1/2"	3/4"	1"	1"1/4	1"1/2	2"	2"1/2	3"
705	Ø Bore	9.2	12.5	15	20	25	32	38	50	65	80
	L	48.6	52.5	59	65	76	90	102	122	157	176
	Ø D	8	8	8	8	8	8	8	8	8	8
	E	81	87	100	100	148	148	190	190	280	280
	H	47.5	52	56.5	58.5	74	78	92	103	118	127
	L1	10	12	14.5	16	18	19	20	22	28	32
	W on flat	19	22	26	32	38	50	54	68	85	98
	C	4	5	6.5	6.5	8	8	8.5	8.5	12	12
	Ø Y	6	7	7.5	7.5	9	9	11	11	15.5	15.5
705	Weight ( Kg )	0.196	0.255	0.290	0.372	0.636	0.960	1.588	2.580	5.316	7.930

**BUTTERFLY HANDLE SIZE ( in mm ) :**



- **Ref. 983113 :**

DN	1/4"	3/8"	1/2"	3/4"	1"
L	55	55	60	60	70
H	20	20	22	22	28
C	4	5	6.5	6.5	8
Y	7	8	9.5	9.5	11.5

**TORQUE VALUES ( in Nm without safety coefficient ) :**

DN	1/4"	3/8"	1/2"	3/4"	1"	1"1/4"	1"1/2"	2"	2"1/2"	3"
Torque (Nm)	2.7	2.7	3	4	5	6	8	10	40	60

**STANDARDS :**

- Fabrication according to ISO 9001
- Tests according to EN 12266
- DIRECTIVE 97/23/CE : CE N° 0036
- Thread ends BSP cylindric according to ISO 228-1 and DIN 2999
- Risk category II

**ADVICE :** Our opinion and our advice are not guaranteed and SFERACO shall not be liable for the consequences of damages. The customer must check the right choice of the products with the real service conditions.